

# F-35B at a glance

The F-35 Joint Strike Fighter made by Lockheed Martin has three variants. A closer look at some features of the F-35B variant that Singapore is interested in.

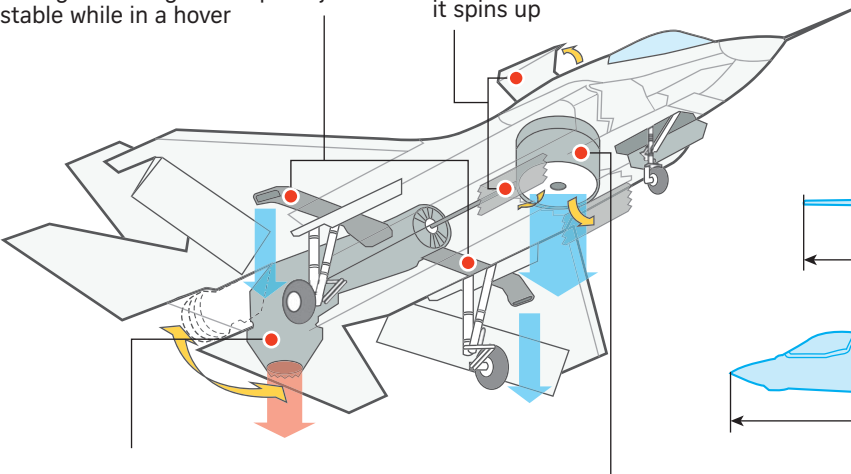
## SHORT TAKE-OFF/VERTICAL LANDING (STOVL) CAPABILITY

The F-35B is the world's first supersonic STOVL stealth aircraft. STOVL allows the plane to take off from shorter runways, hover and land like a helicopter.

### Roll posts

Two roll posts which force air out through the wings to keep the jet stable while in a hover

Doors open above and below the lift fan as it spins up



### Three-bearing swivel nozzle

The exhaust nozzle, provided by Rolls-Royce, swivels 110 degrees downwards from the horizontal to provide vertical thrust

### Lift fan

The lift fan system forces air downwards and is driven by a shaft off the main engine

## Specifications

**Speed:** Mach 1.6 or 1,960kmh

**Combat radius:** 833km

**Range:** 1,667km

**Internal fuel capacity:** 6,125kg

**Max g-rating:** 7.0

**Weapons payload:** 6,800kg

